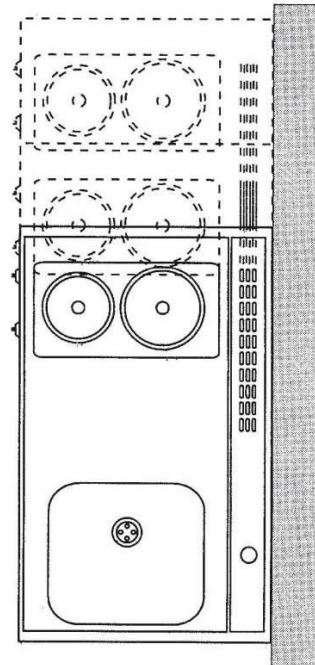
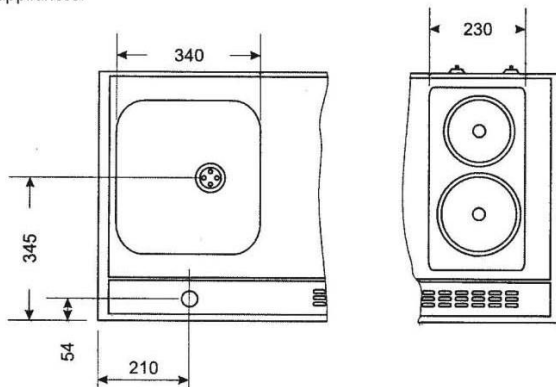
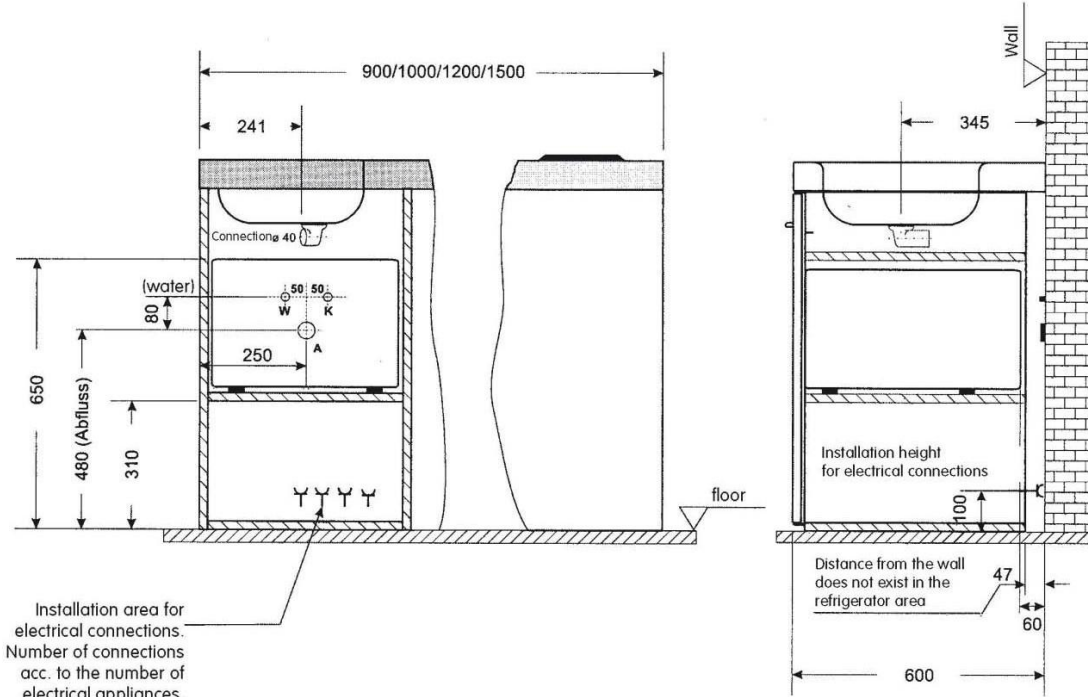


Recommended Connection diagram



IMPORTANT INFORMATION !!!!

Illustration arrangement: stove part right, basin left.
Please check before installation at which side the stove part or the basin is situated and attach the connections side-inverted accordingly.

Subsequent reclamations are excluded.

We recommend having the connection of the kitchen carried out by a sanitary or electrical specialist.